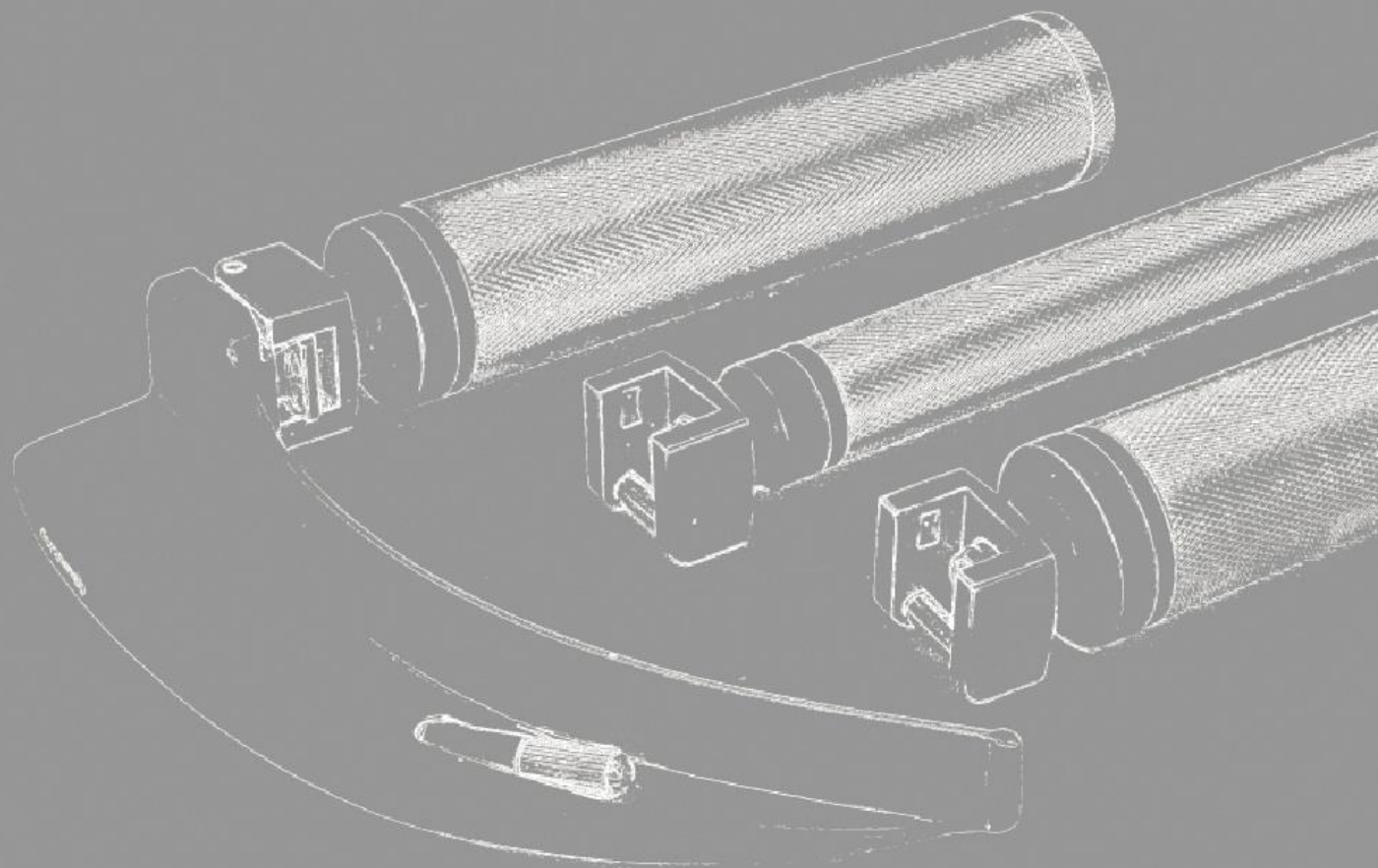




INSDINIA S.L.
— INSTRUMENTAL QUIRÚGICO —

"SERVE LIFE - OUR AIM"



LARYNGOSCOPE
ENT DEVICES
CATALOGUE

www.insdinia.es

Mc – Intosh Laryngoscopes
Standard Illumination
Adult Size



Mc - Intosh Blade Standard Illumination
Size: 0



Mc - Intosh Blade Standard Illumination
Size: 1



Mc - Intosh Blade Standard Illumination
Size: 2



Mc - Intosh Blade Standard Illumination
Size: 3



Mc - Intosh Blade Standard Illumination
Size: 4

Handle Standard Illumination
Size: Adult
Handle options: Child & Stubby

Standard Sets

Contents

- Set of 3 Blades Size 0, 1, 2 and Adult Handle
- Set of 3 Blades Size 1, 2, 3 and Adult Handle
- Set of 4 Blades Size 0, 1, 2, 3 and Adult Handle
- Set of 4 Blades Size 1, 2, 3, 4 and Adult Handle

Sets available in hard case or soft pouch

Specification:

- Manufactured From AISI 304 Stainless Steel
- All Blades and Handles Compatible with ISO 7376 Standard
- Autoclavable
- Available in Halogen and LED Illumination
- Bulbs 2.5V
- Handles requires 2 x C size batteries
- Hard Case and Soft Pouch available



Head



Handle



Blade

Mc – Intosh Laryngoscopes
Fiber Optic Illumination
Adult Size



Mc - Intosh Blade Fiber Optic Illumination
Size: 0



Mc - Intosh Blade Fiber Optic Illumination
Size: 1



Mc - Intosh Blade Fiber Optic Illumination
Size: 2



Mc - Intosh Blade Fiber Optic Illumination
Size: 3



Mc - Intosh Blade Fiber Optic Illumination
Size: 4

Handle Fiber Optic Illumination
Size: Adult
Handle options: Child & Stubby

Standard Sets

Contents

- Set of 3 Blades Size 0, 1, 2 and Adult Handle
- Set of 3 Blades Size 1, 2, 3 and Adult Handle
- Set of 4 Blades Size 0, 1, 2, 3 and Adult Handle
- Set of 4 Blades Size 1, 2, 3, 4 and Adult Handle

Sets available in hard case or soft pouch

Specification:

- Fiber Optic Handle with 3.5mm dia for improved light transmission and longer life.
- Manufactured From AISI 304 Stainless Steel
- All Blades and Handles Compatible with ISO 7376 Standard
- Autoclavable
- Available in Halogen and LED Illumination
- Bulbs 2.5V
- Handles requires 2 x C size batteries
- Hard Case and Soft Pouch available



Head



Handle



Blade

Miller Laryngoscopes
Standard Illumination
Child / Infant Size



Handle Standard Illumination
Size: Child / Infant
Handle options: Adult & Stubby

Standard Sets

Contents

- Set of 3 Blades Size 00, 0, 1 and Child Handle
- Set of 3 Blades Size 0, 1, 2 and Child Handle
- Set of 4 Blades Size 00, 0, 1, 2 and Child Handle
- Set of 4 Blades Size 0, 1, 2, 3 and Child Handle

Sets available in hard case or soft pouch



Miller Blade Standard Illumination
Size: 00



Miller Blade Standard Illumination
Size: 0



Miller Blade Standard Illumination
Size: 1



Miller Blade Standard Illumination
Size: 2



Miller Blade Standard Illumination
Size: 3

Specification:

- Manufactured From AISI 304 Stainless Steel
- All Blades and Handles Compatible with ISO 7376 Standard
- Autoclavable
- Available in Halogen and LED Illumination
- Bulbs 2.5V
- Handles requires 2 x AA size batteries
- Hard Case and Soft Pouch available



Head



Handle



Blade

Miller Laryngoscopes Fiber Optic Illumination Adult Size



Handle Fiber Optic Illumination
Size: Adult
Handle options: Child & Stubby

Standard Sets

Contents

- Set of 3 Blades Size 0, 1, 2 and Adult Handle
- Set of 3 Blades Size 1, 2, 3 and Adult Handle
- Set of 4 Blades Size 0, 1, 2, 3 and Adult Handle
- Set of 4 Blades Size 1, 2, 3, 4 and Adult Handle

Sets available in hard case or soft pouch



Miller Blade Fiber Optic Illumination
Size: 0



Miller Blade Fiber Optic Illumination
Size: 1



Miller Blade Fiber Optic Illumination
Size: 2



Miller Blade Fiber Optic Illumination
Size: 3



Miller Blade Fiber Optic Illumination
Size: 4

Specification:

- Fiber Optic Handle with 3.5mm dia for improved light transmission and longer life.
- Manufactured From AISI 304 Stainless Steel
- All Blades and Handles Compatible with ISO 7376 Standard
- Autoclavable
- Available in Halogen and LED Illumination
- Bulbs 2.5V
- Handles requires 2 x C size batteries
- Hard Case and Soft Pouch available



Head



Handle



Blade

Mc – Intosh Integrated Laryngoscopes
Fiber Optic Illumination
Adult Size



Handle Fiber Optic Illumination
Size: Adult
Handle options: Child & Stubby

Standard Sets

Contents

- Set of 3 Blades Size 00, 0, 1 and Adult Handle
- Set of 3 Blades Size 1, 2, 3 and Adult Handle
- Set of 4 Blades Size 0, 1, 2, 3 and Adult Handle
- Set of 4 Blades Size 1, 2, 3, 4 and Adult Handle

Sets available in hard case or soft pouch



Mc - Intosh Blade Fiber Optic Illumination
Size: 00



Mc - Intosh Blade Fiber Optic Illumination
Size: 0



Mc - Intosh Blade Fiber Optic Illumination
Size: 1



Mc - Intosh Blade Fiber Optic Illumination
Size: 2



Mc - Intosh Blade Fiber Optic Illumination
Size: 3



Mc - Intosh Blade Fiber Optic Illumination
Size: 4

Specification:

- Fiber Optic Handle with 3.5mm dia for improved light transmission and longer life.
- Manufactured From AISI 304 Stainless Steel
- All Blades and Handles Compatible with ISO 7376 Standard
- Autoclavable
- Available in Halogen and LED Illumination
- Bulbs 2.5V
- Handles requires 2 x C size batteries
- Hard Case and Soft Pouch available



Head



Handle



Blade

McCoy Flexi - Tip Laryngoscopes
Fiber Optic Illumination
Adult Size



Handle Fiber Optic Illumination
Size: Adult



McCoy Blade Fiber Optic Illumination
Size: 1



McCoy Blade Fiber Optic Illumination
Size: 2



McCoy Blade Fiber Optic Illumination
Size: 3



Standard Sets

Contents

- Set of 2 Blades Size 2, 3 and Adult Handle
- Set of 2 Blades Size 3, 4 and Adult Handle
- Set of 3 Blades Size 2, 3, 4 and Adult Handle

Sets available in hard case or soft pouch

Specification:

- Flexible Tip for difficult Intubation
- Fiber Optic Handle with 3.5mm dia for improved light transmission and longer life.
- Manufactured From AISI 304 Stainless Steel
- All Blades and Handles Compatible with ISO 7376 Standard
- Autoclavable
- Available in Halogen and LED Illumination
- Bulbs 2.5V
- Handles requires 2 x C size batteries
- Hard Case and Soft Pouch available



Head



Handle



Blade

McCoy Flexi - Tip Integrated Laryngoscopes Fiber Optic Illumination Adult Size



Handle Fiber Optic Illumination
Size: Adult



McCoy Blade Fiber Optic Illumination
Size: 1



McCoy Blade Fiber Optic Illumination
Size: 2



McCoy Blade Fiber Optic Illumination
Size: 3



Standard Sets

Contents

- Set of 2 Blades Size 2, 3 and Adult Handle
- Set of 2 Blades Size 3, 4 and Adult Handle
- Set of 3 Blades Size 2, 3, 4 and Adult Handle

Sets available in hard case or soft pouch

Specification:

- Flexible Tip for difficult Intubation
- Fiber Optic Handle with 3.5mm dia for improved light transmission and longer life.
- Manufactured From AISI 304 Stainless Steel
- All Blades and Handles Compatible with ISO 7376 Standard
- Autoclavable
- Available in Halogen and LED Illumination
- Bulbs 2.5V
- Handles requires 2 x C size batteries
- Hard Case and Soft Pouch available



Head



Handle



Blade

fiber optic illumination



Brass Otoscope Fiber Optic
Brass Otoscope Conventional



ENT Set Complete



Brass Ophthalmoscope

Specification:

- Manufactured From Brass Chrome plated
- 3x Magnifying glass
- Available in Halogen and LED Illumination
- Bulbs 2.5V
- Handles requires 2 x C size batteries
- Hard Case and Soft Pouch available
- Fiber Optic Light Source



Mini Oscope Fiber Optic
Complete Set of Disposable Cannulas

Specification:

- Manufactured From Plastic Material
- 3x Magnifying glass
- Available in Halogen and LED Illumination
- Bulbs 2.5V
- Handles requires 2 x AA size batteries
- Soft Pouch available in matching colors
- Fiber Optic Light Source

Nasal Speculum



Bulbs



Ear Speculas



Ear Speculas & Testing Tube



